

Optical Network Terminal (ONT) User Guide

seethelight uses fibre to bring you high-speed internet and therefore uses some equipment you may not be familiar with.

This guide demonstrates a typical equipment layout to get the best out of your internet, and how to check the status of your equipment.

Your fibre equipment

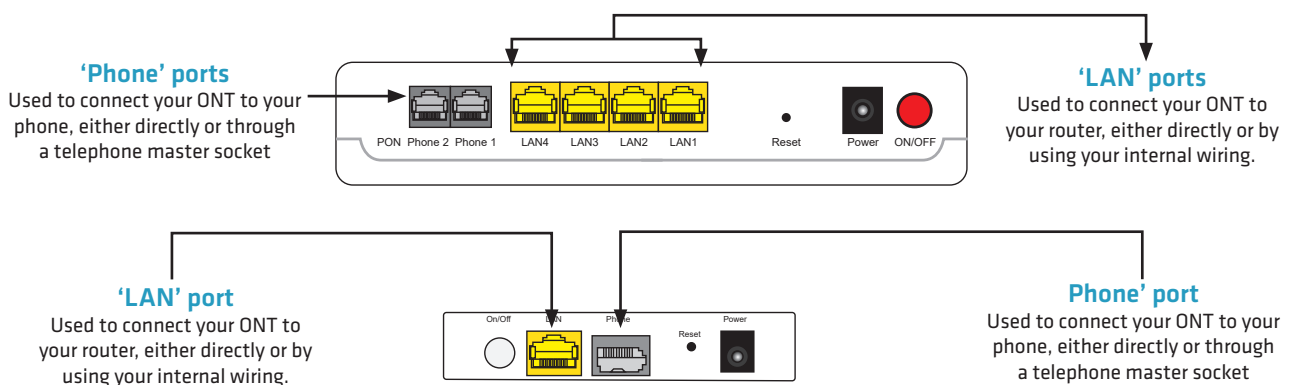
Installed within your property is an Optical Network Terminal (ONT) - this is where the fibre enters your home.

The ONT can connect to your router to provide you with broadband, and your telephone for voice services.

The colour, model and location of your ONT may vary, however all you need to know are a few simple things...

Ports you will find on your ONT

Below we show two basic ONT types, but layout and colour of ports will vary depending on your actual model.



Battery Backup Unit (BBU)

If you have a BBU installed, this will keep your ONT powered for up to 1 hour in the event of a power outage. This will allow you to continue to make and receive calls, including to the emergency services.


Always check your BBU is plugged in correctly and the lights are on. If the AC or OUTPUT lights are not glowing, call your internet service provider.

The lights on your ONT

Your ONT has several lights which identify its status. These lights can be useful to help you troubleshoot problems with your connection.

If your service is not working then please check the lights on your ONT. If there are no lights illuminated, please check the power connection.

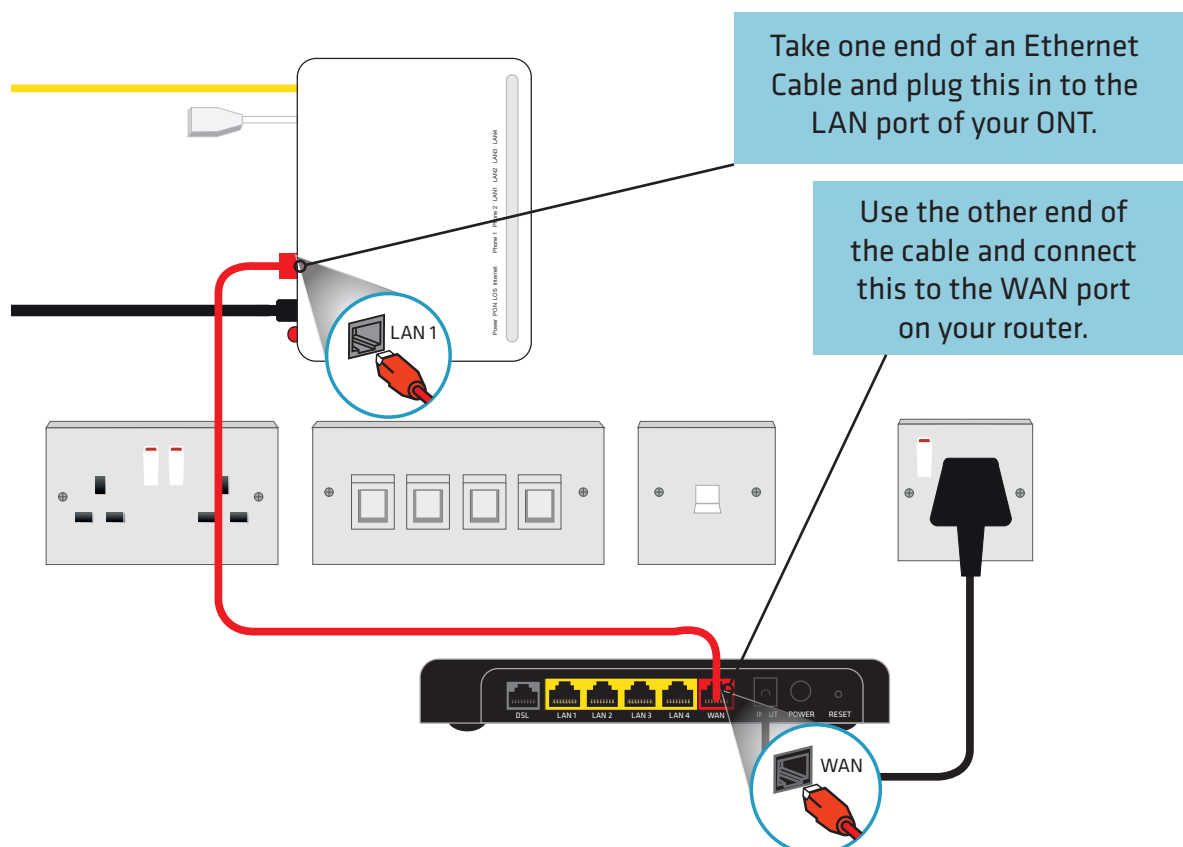
The ONT light names vary depending on the ONT model installed.

Light Name	Status	Description
PON, LINK, AUTH, WAN, PON, LOS, 	OFF or flashing	Network issue Please contact seethelight



Connecting your ONT to your router*

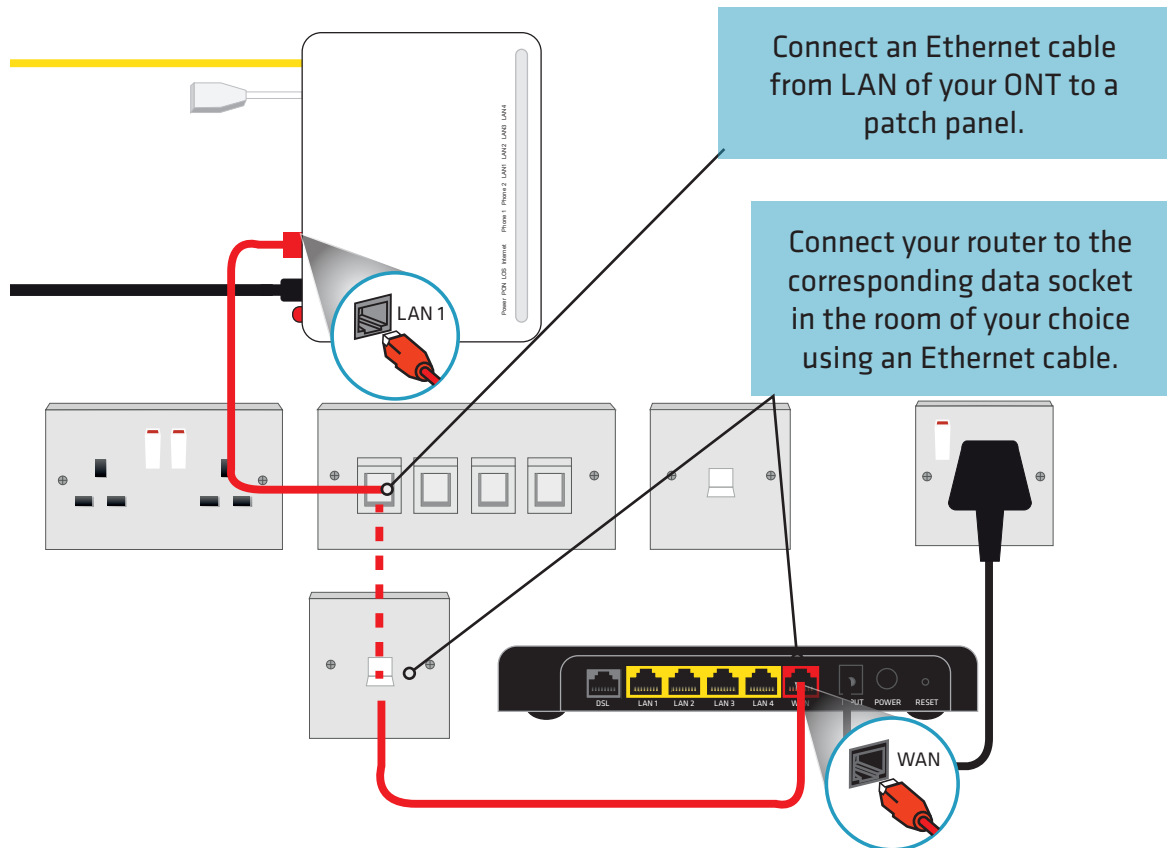
Direct connection from your ONT to your router



*The router colour and model may vary

Connection from your ONT to your router using your internal wiring

If your property has internal wiring, you may be able to connect devices to the internet using this, or use it to relocate your router into a room of your choice.



Connection from your ONT to your phone using your internal wiring

